

ShinMaywa

Koi Submersible Pump

0.15kW, 220V ~ 240V / 50Hz / Single Phase



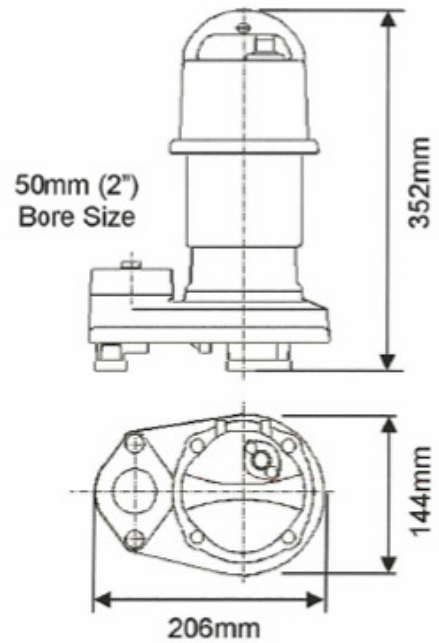
- Reliable & Durable
- Made from a combination of Engineering Plastic and 304 Stainless Steel
- High Pumping Capacity
- Compact & Light Weight
- High Efficiency, Low Power Consumption, Thermal Overload Protection
- Ideal for Drainage & Water Circulation Needs



General Specifications

Pump	Model	NORUS CRS401S
Material	Pump Shaft	SUS420J2
	Stator Casing	SUS304
	Pump Casing	Engineering Plastic (Polyamide Fiber Reinforced Resin)
	Impeller	
Structure	Impeller	Vortex Type
	Shaft Seal	Double Mechanical Seal Wet side: SiC x SiC Motor side: Ceramic x Carbon
Motor	Type	Dry Type Submersible Induction Motor 220~240V/50Hz/Single Phase
Discharge	Bore Size	50mm (2")
Weight	Overall	5.4 kg

Dimensions



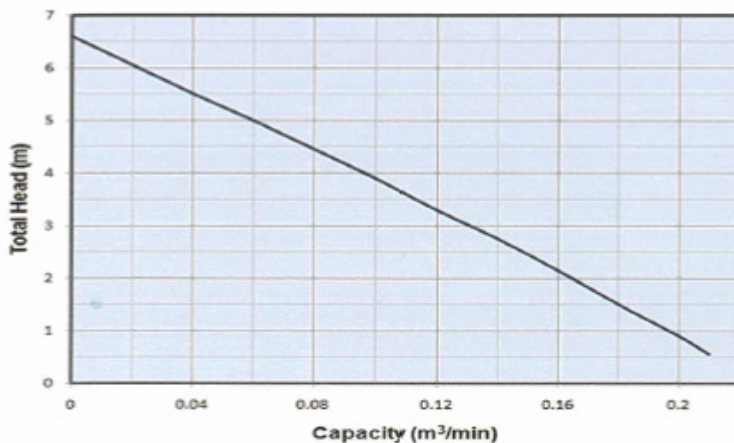
Power Cable Length : 5m

Pressure Head (m)	1	3	5	Max. Head = 6.6
Flow Rate (L/hr)	10,000	7,200	3,600	Max. Flow = 12,600

Pressure Head (ft)	3	10	16	Max. Head = 22
Flow Rate (Imp.gal/hr)	2,200	1,600	800	Max. Flow = 2,800

Specifications and Dimensions are subject to change without prior notice.

Performance Curve



Vortex Impeller, reduces the tangling of fibrous matter, can be used for pumping water containing some amounts of solids

